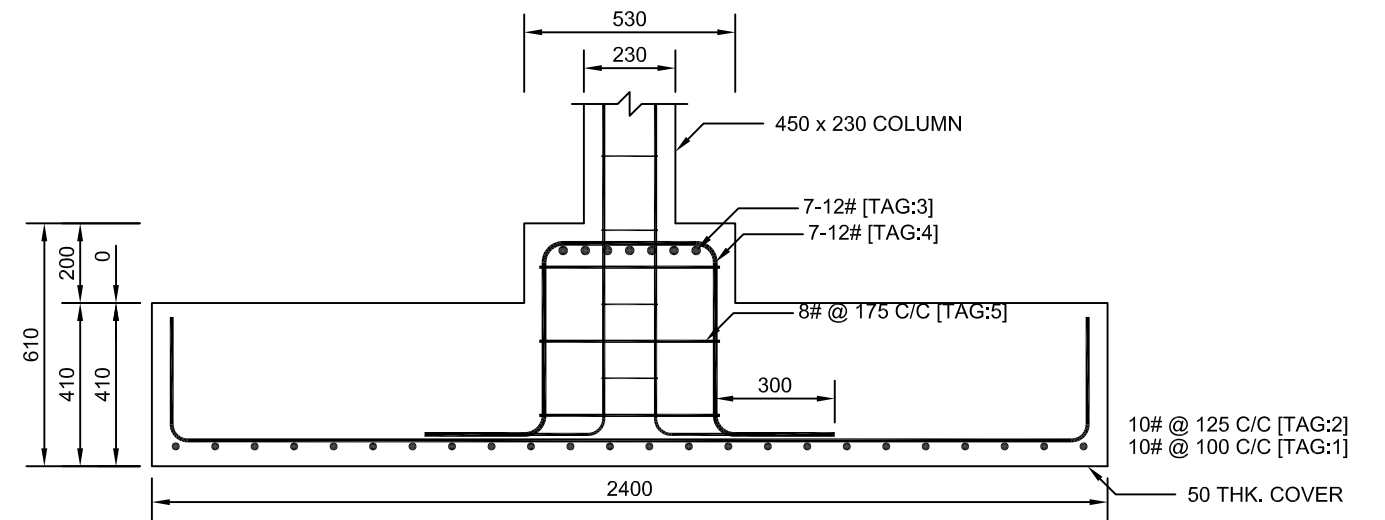
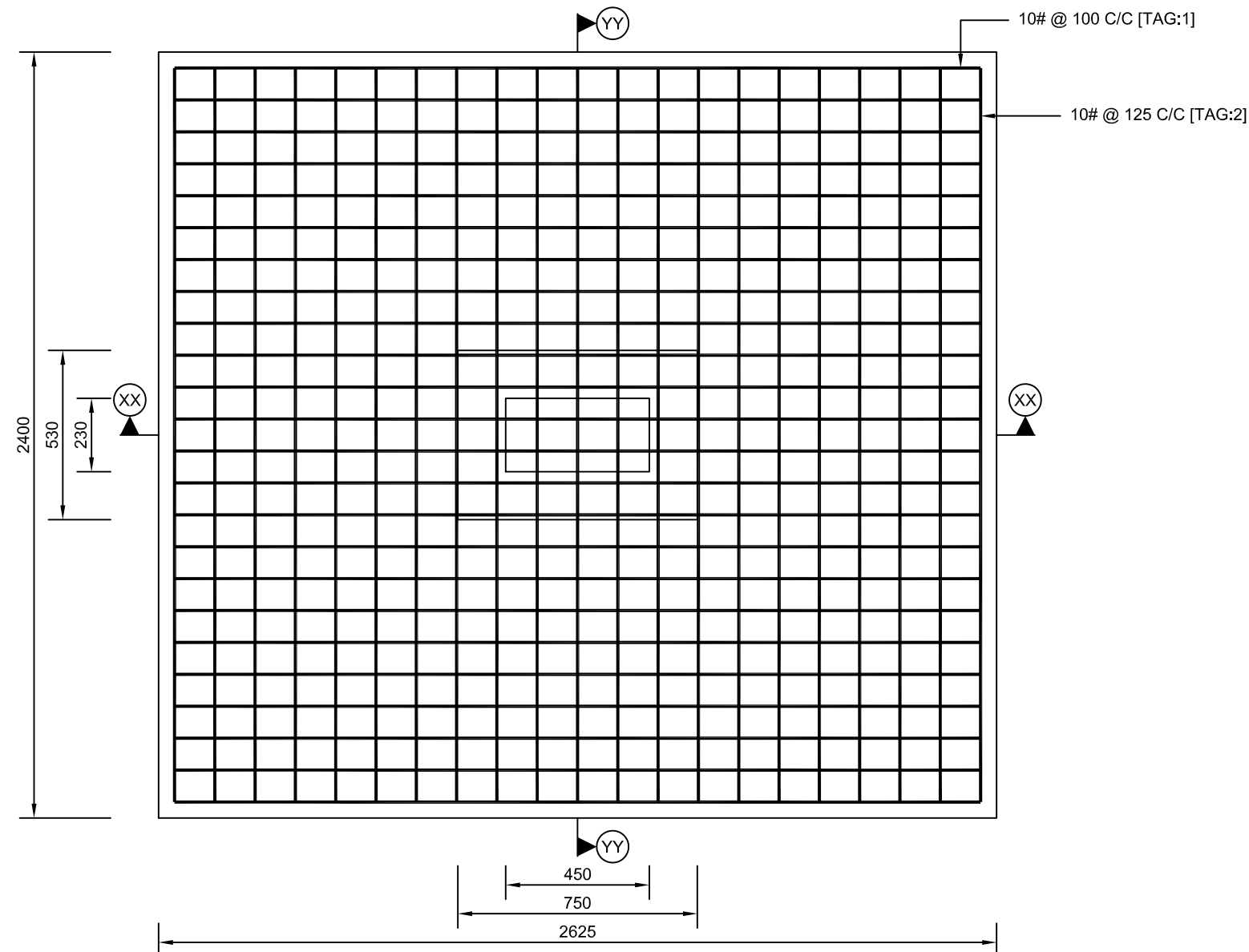


FOOTING F11 - SECTION AT XX



FOOTING F11 - SECTION AT YY



FOOTING F11 - PLAN

BAR BENDING SCHEDULE				
TAG	DIA. (mm.)	LENGTH (mm.)	NUMBERS	DIMENSION (mm.)
1	10	3085	24	E = 2525 A = 310
2	10	2860	21	E = 2300 A = 310
3	12	2086	7	E = 650 A = 490 B = 300
4	12	1866	7	E = 430 A = 490 B = 300
5	8	2352	3	E = 430 A = 650