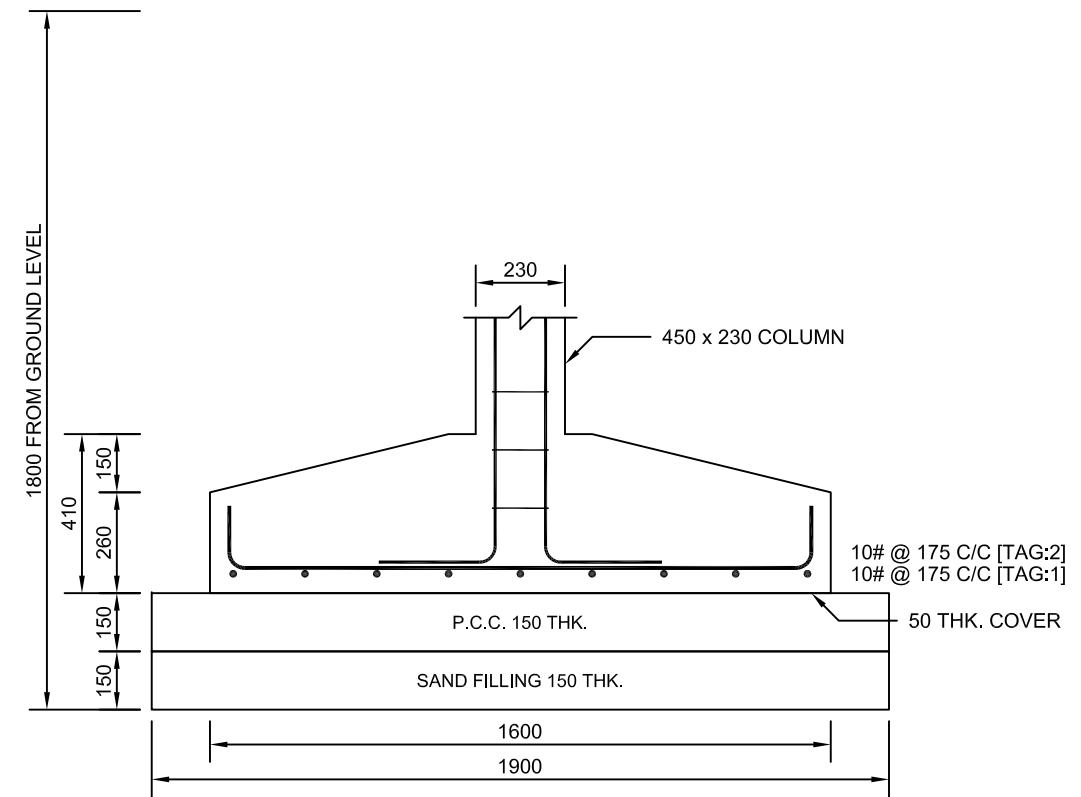
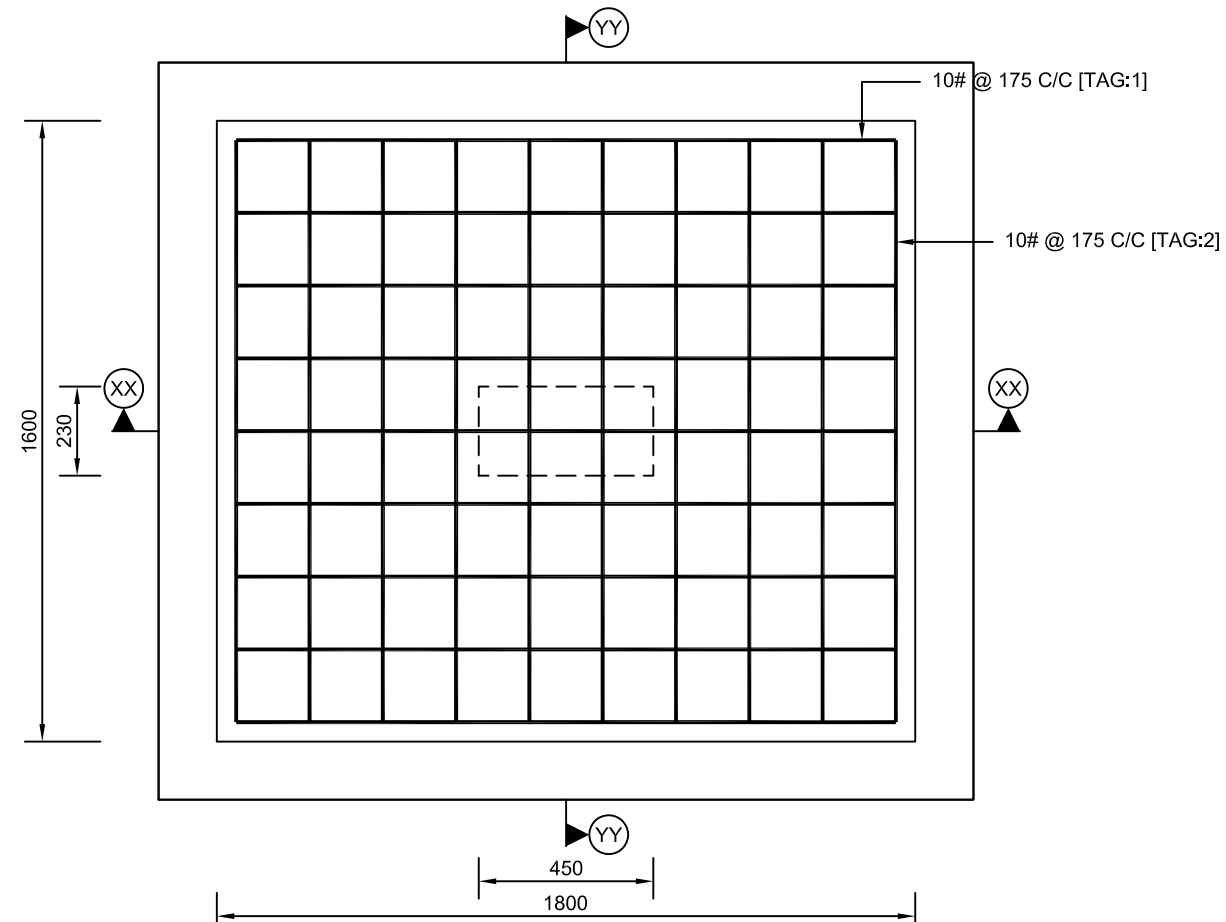


FOOTING F04 - SECTION AT XX



FOOTING F04 - SECTION AT YY



FOOTING F04 - PLAN

BAR BENDING SCHEDULE				
TAG	DIA. (mm.)	LENGTH (mm.)	NUMBERS	DIMENSION (mm.)
1	10	1960	9	 E = 1700 A = 160
2	10	1760	10	 E = 1500 A = 160